



7 NM MARINE BEACON

VLB-36

MEDIUM RANGE LANTERN 4-7 NM

7° or 10° Vertical Divergence
Stand Alone & Self Contained

Vega's range of 7 nautical mile marine beacons use highly efficient optics and electronics providing energy efficiency as high as 90 candela per Watt at 5 NM (depending on vertical divergence)

This level of efficiency significantly reduces the solar panel and battery requirement in standalone applications.



OUTSTANDING FUNCTIONALITY AND FEATURES

The 7 Nautical Marine Beacon (VLB-36) comes in 2 different vertical divergences to cover fixed and floating applications:

- VLB-36 10 degree (ideal for buoys)
- VLB-36 7 degree (for land/pole use)

It is also available as a stand-alone or a self-contained with 7.8W, 15W or 30 Watts solar power.

The available colours are red, green, white, yellow and blue.

The unique optical system utilises an acrylic lens to maximise the light capture from the LEDs. The LEDs are precisely graded and placed to produce a light beam with minimum variation in intensity. A switch mode regulator maintains the light output of the LEDs independent of input of voltage and temperature.

All VLB-36 beacons are tested in the Vega zero range light tunnel prior to shipment to ensure the light output meets the required specification.

MONITORING

Programming is done using Vega IR programmer.

- VegaWeb monitoring system
- Optional alarm/monitor connection
- AIS type 1 or 3 with current sensor

PROGRAMMING FEATURES (WITH VEGA IR REMOTE PROGRAMMER) INCLUDE

- Up to fifteen effective intensity settings for every tier/colour combination
- Automatic Schmidt Clausen intensity correction
- Colours meet the IALA chromaticity requirement
- Full IALA programmable flash characters
- Flash sync delay from 0 to 9.9 seconds
- Nine Lux levels to determine day/night transition
- Programmable low voltage cut-out threshold
- Optional internal GPS
- Optional security code for programming
- Optional internal GPS monitoring to VegaWeb

MAXIMUM CANDELA (SINGLE TIER) INTENSITY

	7° Peak	7° Effective	10 ° Peak	10° Effective
Red	570	290	470	240
Green	320	240	220	150
White	520	290	300	161
Yellow	330	290	190	150
Blue	100	66	40	29



SPECIFICATIONS

OPTICAL SPECIFICATION

Light Source	High-Intensity LEDs
Colours Available	Red, Green, White, Yellow and Blue (Meet IALA requirements)
Peak Intensity	See page 2 chart
Horizontal Divergence	360°
Flash Characters	Fully programmable (including presets)
Vertical Divergence	7° @ 50% peak 10° @ 50% peak
Temperature control	LEDs monitored for excess temperature

ENVIRONMENTAL

Temperature	-30° to 50° Celsius
Intrusion Protection	IP68
Cooling	Convection cooling heat sink
Salt	Continuous exposure to saltwater and spray
Wind	140KT
Cooling	Natural radiation only
Ice	22 kg/m2

MATERIALS

Lens	Machined cast acrylic; UV-protected
Base	UV resistant ASA
Bird Spikes	Stainless steel
Body	Marine grade aluminium

ELECTRICAL PERFORMANCE

Voltage	12 VDC (10-18 VDC)
Battery Protection	Programmable low voltage cutoff Reverse polarity protected
Day/Night Transition	Adjustable levels
Active Off Current	4 mA
Standby Current	0.5 mA
Sync input/output	Ground pulse 10ms wide at start of character

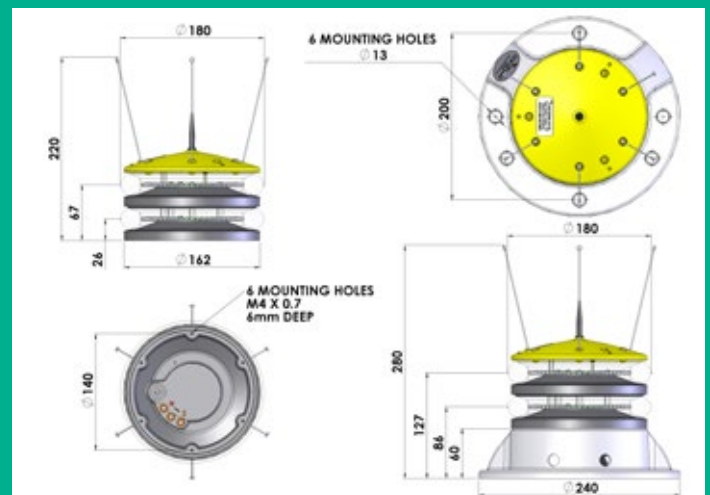
SOLAR POWER SPECIFICATIONS

Model	Solar	Recommended Battery
Stand-alone	N/A	N/A
Small Solar	7.8W	12Ah 12V
Medium Solar	15W	12Ah 12V
Xtra Large Solar	30W	24Ah 12V

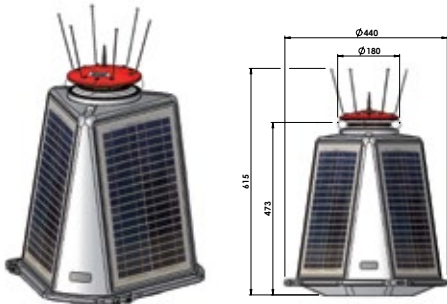
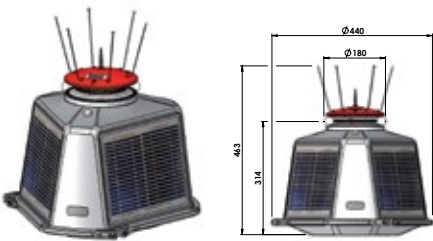
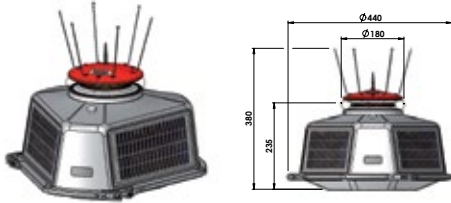
VEGA 4.5NM WRECK LIGHT

The Vega 4.5 NM Wreck Light is part of the VLB-36 range and meets IALA recommendation 0-133 (December 2005) producing a range of up to 4.5 NM at 0.74T.

The VLB-36 Wreck Light is preprogrammed to Blue 1.0s + 0.5s + Yellow 1.0s + 0.5s and has currents which average at 102mA with a standby of 0.5mA.



DIMENSIONS & WEIGHTS



PARTS FOR ORDERING

DESCRIPTION

VLB-36 LED Marine Beacon

PRODUCT CODE FORMAT

VLB-36-C-V-S

Where V is vertical divergence

= 7° or 10°

Where C is colour

= Red, Green, White, Yellow or Blue

Where S is size

= SA for standalone

= SM for small (7.8 W)

= MD for medium (15 W)

= XL for extra large (30 W)

OPTIONAL EXTRAS

GPS synchronization

GS

Extra Infrared Remote

Remote -02

Charge port/sync wire

CP/SW

Vega prides itself on a long history of leading edge optical innovation. To enquire about customised options please email the sales team at sales@vega.co.nz.

For other factory options check out our website, www.vega.co.nz.



Telephone: +64 4 238 0200

Email: sales@vega.co.nz www.vega.co.nz

21 Heriot Drive, Porirua 5022
Wellington, New Zealand

Version 03.12