



OL2A

SOLAR SAFETY LIGHT

A practical, compact and low-maintenance solution for marking barricades, fencing, construction areas, ground obstacles and other hazards. Ideal for remote or hard-to-access locations.

- More than three times the range of the original OL2
- Custom optics, high-efficiency solar panels and premium materials
- Excellent value and extremely reliable operation (5+ years)

Advanced Optics

- Up to 29 cd intensity
- Up to 40 user-adjustable flash patterns with ability to direct enter intensity
- Available in red, white, green, yellow and blue

Easy Installation

- Installs in minutes; "out-of-box" operation
- Flange-mount and pole-mount options
- Automatic dusk-to-dawn operation or optional on/off switch
- Optional mini IR remote accessory

Low Maintenance

- Replaceable batteries: AA NiMH, high-temperature-rated
- Next generation, energy-saving Automatic Light Control; five-day data trending regulates intensities for longer battery life and optimal performance 12-months a year.

Reliable

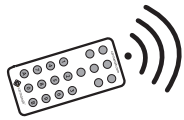
- Premium grade, UV resistant polycarbonate body and lens material
- Waterproof; IP 68 immersion
- Ventilated battery compartment
- Life expectancy over 15 years; 3 year warranty

Trusted

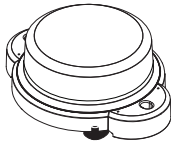
With thousands of installations worldwide, Carmanah solar LED lights operate year-round at permanent and temporary installations.



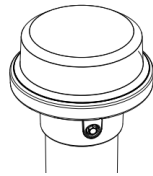
REPRESENTED IN YOUR REGION BY:



OPTIONAL INFRARED PROGRAMMER



FLANGE MOUNT



POLE MOUNT

OL2A

SOLAR SAFETY LIGHT

SPECIFICATIONS

	29 cd peak intensity; see table
Optical	High Power LED
	Red, Green, White, Yellow, Blue
	Proprietary optical design
	40 flash patterns
Energy Collection	Best-in-class high-efficiency solar cells 0.6 W
Battery	Three high-temperature NiMH AA batteries rated for -40 to 185 °F (-40 to 85 °C)
	Designed for 5 year battery life; Replaceable and recyclable
Energy Management System (EMS)	Intelligent, microprocessor EMS
Automatic Light Control 2.0 (ALC 2.0)	When enabled, ALC adjusts output intensity in response to unusually low amounts of sunlight to ensure continued operation
Programming	Programmable with optional infrared programmer
Construction	Premium grade UV resistant, polycarbonate body and lens
	Waterproof battery compartment with Gore® vent
	Colour indicator matches LED colour
Temperature	-22 to 122 °F (-30 to 50 °C) operating
	-40 to 176 °F (-40 to 80 °C) storage
Weight	Flange Mount: 0.8 lbs (0.37 kg), Pole Mount: 0.9lbs (0.40 kg)
Mounting	Flange or pole-mount options. Refer to dimensional diagram for details
Wind Loading	140 knots (72 m/s)
Ice Loading	0.03 psi (22 kg/m ²)
Shock & Vibration	MIL-STD-202G (for Shock and Vibration)
	IP 68 immersion, 24 hrs at 1 m (3 ft)
Ingress	MIL-STD-202G immersion & damp heat cycling
	MIL-STD-810G rain & salt fog
	RoHS; WEEE
Compliance	FCC, CE

ORDER KEY

MODEL	OUTPUT ▼	MOUNT ▼
OL2A	RED GREEN WHITE YELLOW BLUE	FLANGE MOUNT FLANGE MOUNT - WITH SWITCH POLE MOUNT



The management system governing the manufacture of this product is ISO 9001:2008 certified.

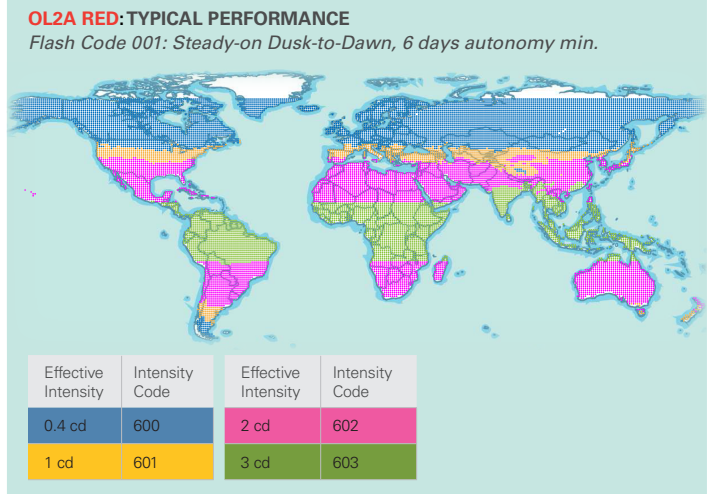
Specifications subject to local environmental conditions. Specifications may be subject to change.

US and International patents apply. "Carmanah" and Carmanah logo are trademarks of Carmanah Technologies Corp.

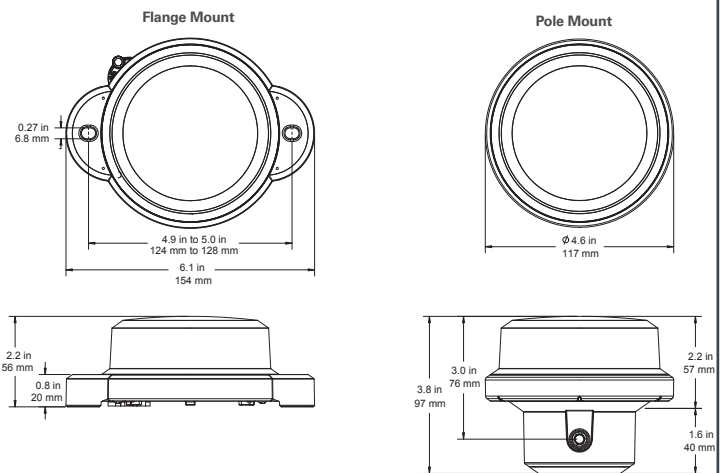
PEAK INTENSITY

COLOUR	INTENSITY
Red	18 cd
Green	23 cd
White	29 cd
Yellow	25 cd
Blue	8 cd

Note: Peak intensity dependent on location and flash pattern. To view performance in your installation location visit www.carmanah.com



DIMENSIONS



With sleeve: 1.9 in (48 mm) pole ID
Without sleeve: 2.4 in (61 mm) pole ID
Overtop mount: 2.8 in (71 mm) pole OD

Carmanah is a Canadian public corporation - TSX:CMH
© 2015, Carmanah Technologies Corp.
Document:OL2A_Spec_Sheet_RevC_RevC