



**Taking Class B to the next level**



### Product Overview

WideLink B600 is an SOTDMA AIS class B, the next evolution of AIS technology. Its 5W transmit power, higher reporting rate and professional grade time division management make B600 an overall more advanced product compared to AIS class B based on CSTDMA scheme.

The globally approved transponder contains 1 VHF transmitter, 2 AIS receivers on 2 VHF channels and 1 MCU with cutting edge software defined radio technology. Its internal GNSS receiver with 50 channels is able to process signals from GPS, Galileo, BeiDou and Glonass with differential capability. It receives DSC, time-sharing with AIS receivers.

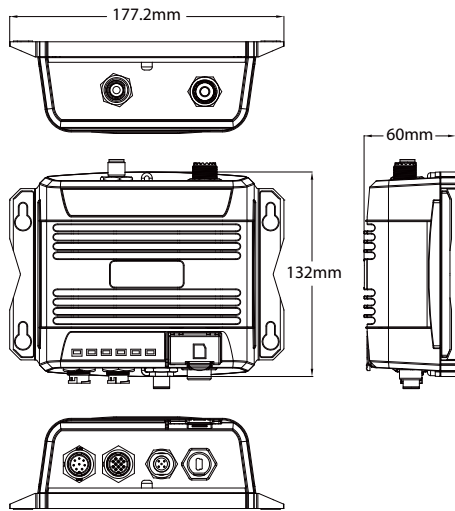
Its enhanced housing with IPx7 waterproof and shock and temperature robustness is ideal to survive harsh marine environments. Chart plotter and PC can be easily integrated over its NMEA2000, NMEA0183 and waterproof USB port. Its built-in data logger can record AIS data on micro SD card in the most intuitive way.

### Key Features

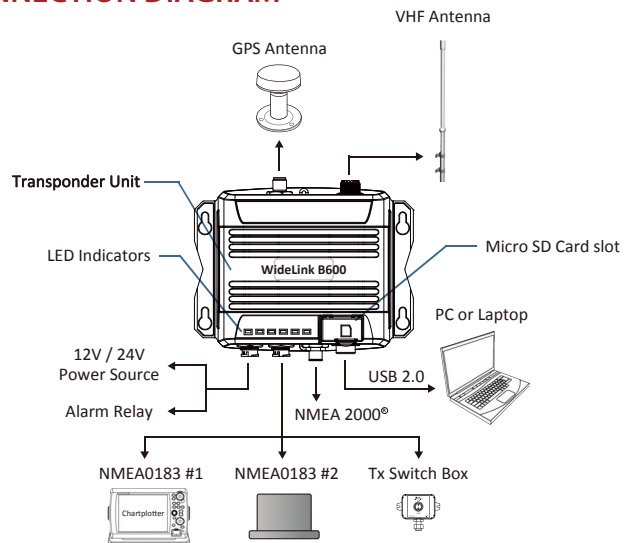
- ▶ New generation AIS Class B transponder based on advanced SOTDMA technology
- ▶ Support 5 watt AIS output power for longer transmission range
- ▶ Enhanced AIS transmit scheme which improves operational performance compared to conventional CSTDMA Class B technology
- ▶ NMEA 2000, dual NMEA 0183 and USB connectivity
- ▶ Support NMEA2000, NMEA0183, USB, and WiFi (option) connectivity
- ▶ Compact and robust housing, IP67 waterproof
- ▶ Optional silent-mode (Tx-off) operation
- ▶ Support alarm relay output
- ▶ Built-in SD card-slot for data logging capability
- ▶ Compliant with new IEC 62287-2 international standards
- ▶ Tested and approved by BSH, CE RED certified



## DIMENSIONS



## CONNECTION DIAGRAM



## SPECIFICATIONS

### ▶ APPLICABLE STANDARDS

ISO MSC. 74(69) Annex	IEC 60945 Ed. 4.0:2002
ITU-R M. 825-3:1998	IEC 61108-1 Ed. 2.0:2003
ITU-R M. 1084-5:2012	IEC61162-1 Ed. 5.0:2016
ITU-R M. 1371-5:2014	IEC61162-2 Ed. 1.0:1998
EN 300 440 V2.1.1 (Final Draft)	IEC 62287-2 Ed. 2.0:2017
EN 300 328 V2.1.1	EN 62311:2008
EN 301 489-1 V2.1.0(Draft) / EN 301 489-3 V2.1.0(Draft)	
EN 301 489-1 V2.1.0(Draft) / EN 301 489-17 V3.1.0(Draft)	
EN 60950-1:2006 + A11:2009 + A1:2010 + A12:2011 + A2:2013	

### ▶ VHF TRANSCEIVER

Frequency Range	156.025 MHz ~ 162.025 MHz
Access Scheme	SOTDMA
Channel Bandwidth	25 KHz
Modulation	GMSK / FM
Data Rate	9,600 bps
Number of AIS Transmitter	1
Number of AIS Receiver	2 (one time-shared between AIS and DSC)
Number of DSC Receiver	1 (time-shared between AIS and DSC)
AIS Channel 1	CH 87B (161.975 MHz)
AIS Channel 2	CH 88B (162.025 MHz)
Tx Power Output	5 Watt (37 dBm ± 1.5 dB)
	1 Watt (30 dBm ± 1.5 dB)
Rx Sensitivity	< -107 dBm @ 20% PER
Rx Message Format	AIS Class A & B messages

### ▶ DSC RECEIVER

Modulation	1,300 Hz / 2,100 Hz FSK
Data Rate	1,200 bps ± 30 ppm
Spurious Response Rejection	≥ 70 dB for signal @ -104 dBm; BER ≤ 1 %
Blocking	≥ 84 dB for signal @ -104 dBm; BER ≤ 1 %

### ▶ GNSS RECEIVER (INTEGRATED)

Receiving Channels	50 channels
Accuracy	IEC 61108-1 compliant
Output Rate	1 Hz
Support:	GPS, Gallio, Beitou, Glonass

### ▶ POWER SUPPLY

Supply Voltage	12V / 24V DC, 2A
Power Consumption	Typically less than 3W average @ 12V DC

### ▶ CONNECTION INTERFACE

GPS Antenna Connector	TNC (Female)
VHF Antenna Connector	SO-239 (Female)
NMEA 2000	Standard connector
NMEA 0183 (RS-422)	Support two NMEA 0183 interfaces
	Default baud rate 38,400 & 4,800bps
	Configurable and separate Tx/Rx baud rate
	Standard IEC 61162-1 / IEC 61162-2 sentences
Silent Mode Setting	Set by dedicated pins in the 12-pin cable
Internal Alarm Relay Setting	Set by dedicated pins in the 8-pin cable
USB	Mini-B type, waterproof

### ▶ ENVIRONMENTAL

Operating Conditions	IEC 60945 "protected" category
Operating Temperature	-15°C ~ +55°C (+5°F ~ +130°F)
Waterproof	IP67

### ▶ PHYSICAL

Width	177 mm (6.97 inches)
Height	60 mm (2.36 inches)
Depth	132 mm (5.20 inch) (exclude connector)
Weight	500 g

### ▶ SOFTWARE TOOL

AMEC AIS Configuration, AMEC AIS Viewer, AMEC AIS App

### ▶ COMPASS SAFETY DISTANCE

Standard Magnetic Compass	0.30m
Steering Magnetic Compass	0.30m

### ▶ GA-22 GPS ANTENNA (OPTIONAL)

Cable	Integral 10m RG-174 cable plus mounting bracket
Supply Voltage	3.3V

### ▶ Wi-Fi POWER (B600W ONLY)

Tx Transmit Power	19.53 dBm (EIRP)
Frequency Range	2412 MHz ~ 2462 MHz

Note: Specifications are subject to change without prior notice.



The AIS Specialists

Alltek Marine Electronics Corporation

14F-2, No. 237, Sec. 1, Datong Rd., Xizhi Dist.,  
New Taipei City, 22161, Taiwan  
Tel: +886 2 8691 8568 Fax: +886 2 8691 9569

## Sales Contact

For more information, please contact your local representative or Alltek Marine at

sales@alltekmarine.com

[www.alltekmarine.com](http://www.alltekmarine.com)

Distributor/Dealer