



**Compact Class A,  
World Class Engineering**

## Product Overview

The AMEC CAMINO-701 is an AIS Class A transponder for both SOLAS and inland vessels. Fully MED certified by latest international standards, the AMEC CAMINO-701 is ready for your worldwide deployment.

Built on field proven AIS expertise, CAMINO-701 is engineered to be exceptionally reliable – from solid reception and transmission of AIS data, great compatibility with peripheral equipments to marine grade housing design.

The combination of user-friendly interface and 3.5" color LCD make it the most intuitive device to operate. Diverse NMEA 0183 sensor ports, NMEA 2000, USB and pilot plug ensure easy integration with existing board system.

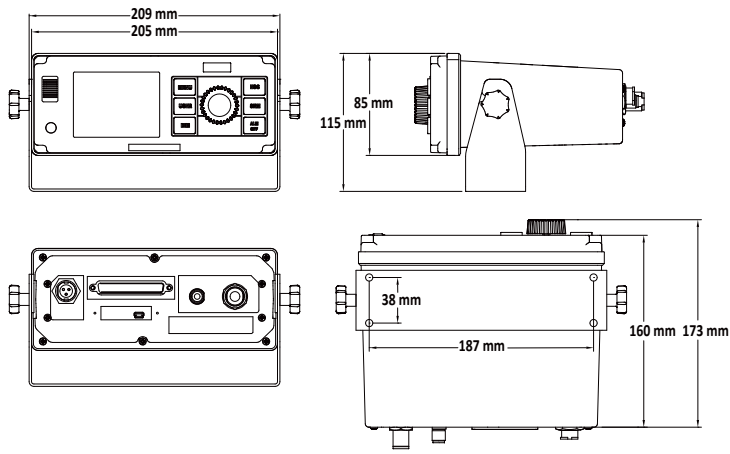
## Key Features

- ▶ Fully compliant with latest IMO, IEC, and ITU standards
- ▶ Support both SOLAS and Inland mode
- ▶ Color 3.5" LCD display with intuitive display modes
- ▶ Control knob and keypad for easy operation
- ▶ USB and NMEA2000 connectivity ready
- ▶ Multiple sensor input ports and bi-directional data ports
- ▶ Compact and robust housing design

## Application



## DIMENSIONS



### ▶ KEYPAD & ROTARY SWITCH

6 Keypads with Back-light	1 for SRM, 1 for Menu, 1 for Dimmer, 1 for ESC, 1 for Display, 1 for Nav. Status
Rotary Switch	Multi-Function

### ▶ CONNECTION INTERFACE

GPS Antenna Connector	TNC (Female)
VHF Antenna Connector	SO-239 (Female)
Sensor Interfaces 1 to 3	IEC 61162-1 or -2
Pilot / Auxiliary	IEC 61162-2
External Display	IEC 61162-2
Long-range	IEC 61162-2
DGNSS Correction Input	RTCM-SC-104
Alarm relay	Normally closed
USB	Mini type B USB interface
NMEA2000	IEC61162-3
Alarm Output	Relay contact

### ▶ ENVIRONMENTAL

Operating Conditions	IEC 60945 "protected" category
Operating Temperature	-15°C ~ 55°C
Operating Humidity	95% RH at 40°C
Waterproof	IPX2

### ▶ PHYSICAL

#### Transponder unit with MKD

Width	205 mm
Height	85 mm
Depth	173 mm (excluding connector)
Weight	1.2Kg

#### Junction Box unit

Length	166 mm
Width	86 mm
Height	57 mm (excluding connector)
Weight	300 g

## SPECIFICATIONS

### ▶ APPLICABLE STANDARDS

IEC 61993-2 Ed. 2, 2012	IEC 60945 Ed. 4, 2002
IEC 61162-1 Ed. 4, 2010	IEC 61162-2 Ed. 1, 1998
IMO MSC.74 (69) Annex 3	ITU-R Recommendation M.1371-5, 2014
IMO Resolution A.694 (17): 1991	IEC 61108-1 Ed. 2, 2003
IEC 62288 Ed. 2, 2014	IEC 62388 Ed. 1
IMO Resolution A.694(17)	IMO Resolution MSC.191(79)
IMO Resolution MSC.74(69) Annex 3	ITU-R Recommendation M.825-3
ITU-R Recommendation M.1084-5, 2012	ITU-T Recommendation O.153

### ▶ VHF TRANSCEIVER

Frequency Range	156.025 MHz ~ 162.025 MHz
Channel Bandwidth	25 KHz
Modulation	GMSK / FM
Data Rate	9,600 bps
Number of AIS Transmitter	1
Number of AIS Receiver	2
Number of DSC Receiver	1
AIS Channel 1	CH 87B (161.975 MHz)
AIS Channel 2	CH 88B (162.025 MHz)
Tx Power Output	1/12.5 Watt (30/41 dBm ± 1.5 dB)
Rx Sensitivity	< -107 dBm @ 20% PER

### ▶ DSC RECEIVER

Frequency	156.525 MHz
Modulation	FSK
Channel Bandwidth	25K
Sensitivity	< -107 dBm @ BER < 10
Spurious Response Rejection	≧ 70 dB for signal @ -104 dBm; BER ≧ 1 %
Blocking	≧ 84 dB for signal @ -104 dBm; BER ≧ 1 %

### ▶ GPS RECEIVER (integrated)

Receiving Channels	50 channels
Tracking & Navigation Sensitivity	≧ -159 dBm
Reacquisition Sensitivity	≧ -159 dBm
Horizontal Position	< 2.5 m Autonomous < 2.0 m SBAS
Receiver Type	SBAS: WAAS, EGNOS, MSAS, GAGAN

### ▶ POWER SUPPLY

Supply Voltage	12V / 24V DC
Power Consumption	Less than 9W average @ 12V DC; Less than 65W peak power @ 12V DC

### ▶ LCD DISPLAY

Screen Size	3.5" color TFT
Pixel Number (Resolution)	320 x 240
Viewing Mode	Basic coastline map/ Radar View / Alphanumeric views / Satellite View
Dimmer Control	Step-less setting

Note: Specifications are subject to change without prior notice.



The AIS Specialists

Alltek Marine Electronics Corporation

14F-2, No. 237, Sec. 1, Datong Road, Xizhi District,  
New Taipei City, 22161, Taiwan  
Tel: +886 2 8691 8568 Fax: +886 2 8691 9569

## Sales Contact

For more information, please contact your  
local representative or Alltek Marine at  
sales@alltekmarine.com

[www.alltekmarine.com](http://www.alltekmarine.com)

Distributor/Dealer