

## SFH 6EX

### Fog Signal

SFH 6EX Fog Signal is a 2 NM audio signal. The Fog Signal is a new development, compact and lightweight unit designed for marine applications. The Fog Signal is equipped with six compressor drivers and with an integrated power amplifier.

- **Signal range 2 NM**
- **Output 133,2 dB at a frequency of 664 Hz**
- **Corrosion resistant aluminium housing**
- **Suitable to be powered with solar energy and a battery system**
- **Maintenance free design**
- **As standard delivered with Morse U 30 sek audio signal, on request other characters**
- **Used on fixed offshore structures, oil/ gas platforms, offshore wind farms, FSO and FPSO tankers**
- **Can be installed together with a Sabik fog detector**





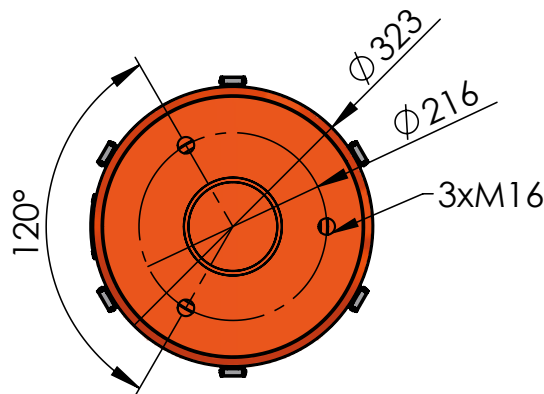
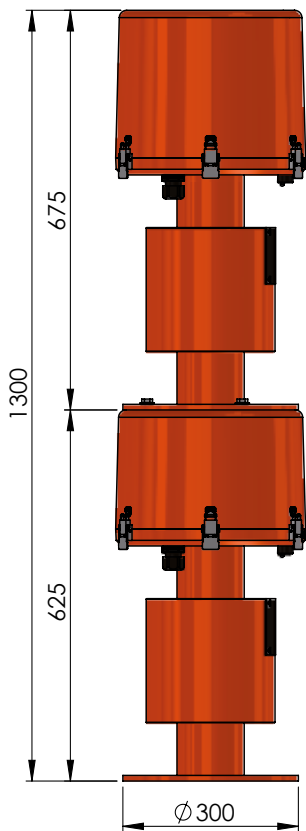
**Size**  
Compact and lightweight design easy to transport.



**Outgoing signal 360 degree**  
Custom made driver is well protected against the salt marine environment.



**Safety latches**  
For easy access during maintenance and configuration.



### Main Technical Specification

Supply voltage	12 - 28 VDC
Input power	100 W
Signal output	133,2 dB
Output frequency	664 Hz
Nominal range	2 Nautical miles
Body material	Corrosion resistant Aluminium
Weight	67 kg
Degree of protection	IP 66
Temperature range	-20°...+40°C
EX Zones	Zone 1 and Zone 2
EX approvals	Ex emb IIC T6 Gb
Certificates	VTT 11 ATEX 033