

LED 155 EX

Offshore lantern

LED 155 EX is a LED lantern commonly used on offshore platforms. The lantern is maintenance free, compact and robust in design. LED 155 EX is modular and can be delivered with up to 3 tiers.

- Range up to 8 nm at $T_c = 0.74$ (12 at $T_c = 0.85$)
- ATEX category Zone 1 and Zone 2
- Standard IALA colours Red, Green, White and Yellow
- Rugged aluminium housing
- Extremely low power consumption, suitable for solar and battery operation
- Integrated flasher with a day light switch and an 8 Ampere solar panel charger
- Adjustable intensity and range
- Available with narrow (6°) or wide (10°) vertical divergence
- Programming with Sabik Mk2E portable programmer
- Cable synchronization between light units



Simplex

Duplex

Triplex

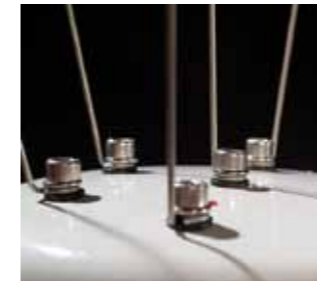
Optical performance

Maximum fixed intensity, narrow lens (fixed structures)

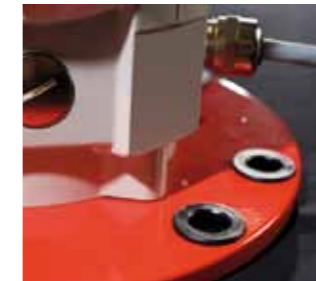
Simplex, 6 W	140 cd	270 cd	450 cd	200 cd
Duplex, 12 W	266 cd	513 cd	720 cd	380 cd
Triplex, 18 W	392 cd	756 cd	1080 cd	560 cd

Maximum fixed intensity, wide lens (floating structures)

Simplex, 6 W	120 cd	180 cd	250 cd	100 cd
Duplex, 12 W	228 cd	342 cd	450 cd	190 cd
Triplex, 18 W	336 cd	504 cd	675 cd	280 cd



Bird spikes
Stainless steel as standard. Easy to replace. Special spikes for protection against cormorants on request.



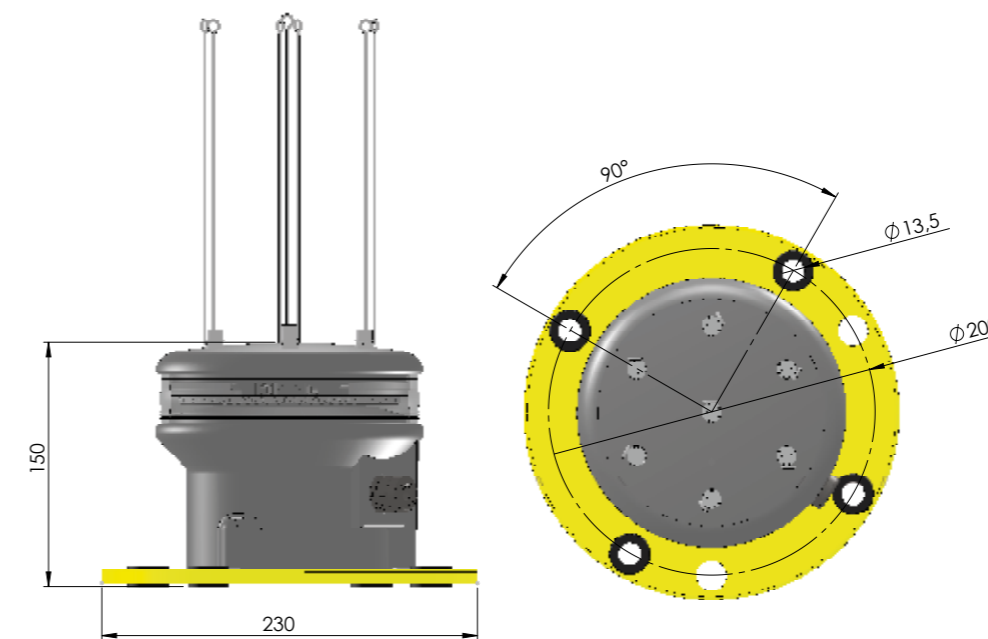
Additional cable entry
Equipped as standard with two cable entries. If the second entry is needed e.g. for cable sync or for a solar module a standard M20 cable gland can be fitted.



Programmer
Sabik Mk2E user friendly portable programming unit.



Grounding plug
The base plate has a grounding plug as standard to enable good protection for electromagnetic interference.



Main Technical Specification

Lens visual/Mechanical diameter	160 mm
Lens material	UV stabilized Polycarbonate
Light source	Light Emitting Diodes (LEDs)
Vertical divergence	$6^\circ @ 50\% (\pm 1^\circ)$ or $10^\circ @ 50\% (\pm 1^\circ)$ of peak intensity
Unit lifetime	Up to 10 years
Weight	3,9 kg for single tier unit
Controller	Sabik LED flasher
Degree of protection	IP 66
Temperature range	$-40^\circ \dots +60^\circ \text{C}$
Supply Voltage	9 – 28 VDC
Solar Panel Charger	8 ampere charger
Power consumption	6 watts / tier
Ex Zones	Zone 1 and Zone 2 indoor and outdoor
Ex approval	Eex emb op is IIT4
Certificates	VTT 04 ATEX 016X

Product codes, 1 tier model

LED 155EX narrow lens	Colour
LED 155EX NW	white
LED 155EX NR	red
LED 155EX NG	green
LED 155EX NY	yellow

Product codes

LED 155EX wide lens	Colour
LED 155EX WW	white
LED 155EX WR	red
LED 155EX WG	green
LED 155EX WY	yellow