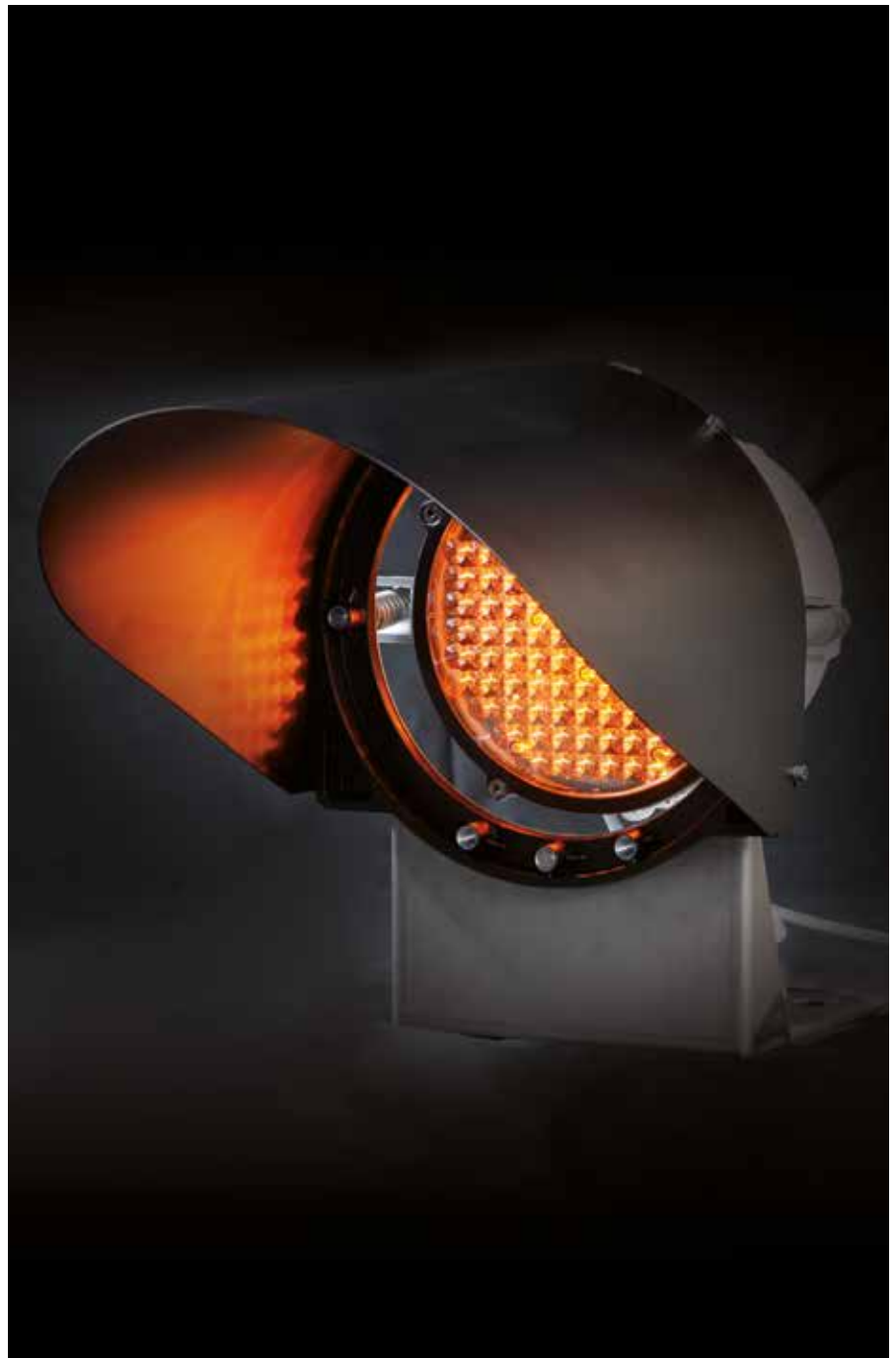


## LO 200

### High Intensity LED Range Light Signal

The LO 200 signal is designed for applications requiring medium and long range directional light, such as range lights and port entry signals.

- **High intensity precision range light**
- **Intensity adjustable from 5% to 100%**
- **Housing fully waterproof with PTFE vent for breathing**
- **Visual range up to 15 NM (Tc = 0,74)**
- **Standard IALA colours Red, Green, White and Yellow**
- **Low power consumption, ideal for solar system**
- **Flasher with daylight switch integrated with the lantern**
- **Integrated 16 ampere PWM solar panel regulator when flasher is integrated**
- **Programmable with Sabik standard IR programming devices**
- **Optionally internal GPS synchronization**
- **Optional night time reduction if operated day and night**
- **Equipped with Bluetooth programming**





### Aluminium housing

The lantern enclosure is made from marine grade aluminium.



### Sun shield

Protects lens from dust and bird droppings. Improves contrast in daytime use.



### Installation

The lantern can easily be installed on any flat surface with four M10 size bolts.



### PTFE breathing

Vent for pressure release in the back of the lantern.



### Polycarbonate lens

The optical lens consists of 120 pcs miniature Fresnel elements creating a high efficient precision beam.



### Sabik Easy Programmer

User friendly and compact wireless two-way programmer.



### Precision alignment

A gun sight can be utilized for precision alignment to the center line of the range.



### Level indicator

The integrated level indicator makes horizontal levelling easy.



### Light beam adjustment

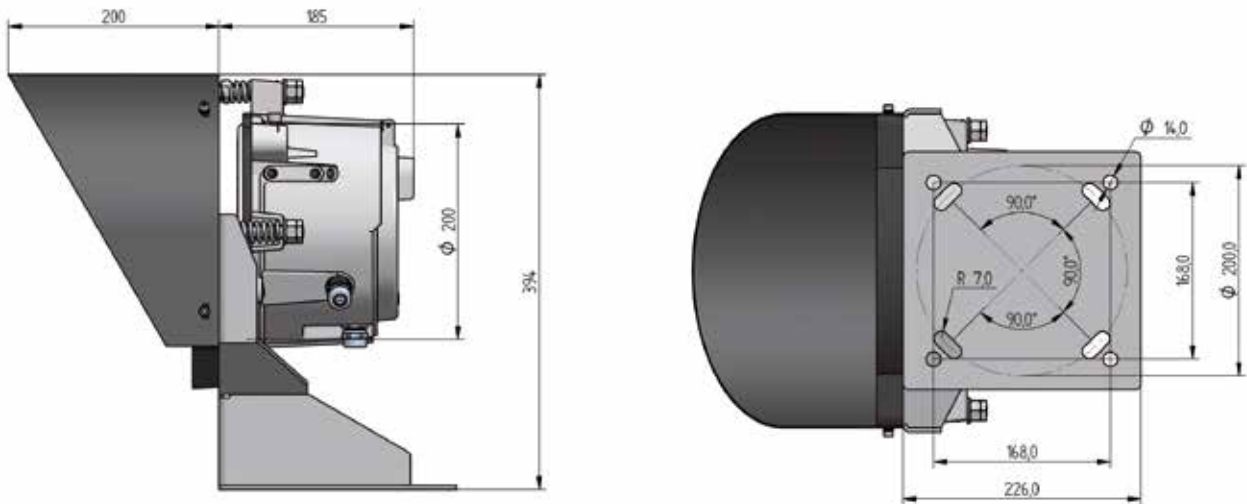
The direction of the light beam can be adjusted with 3 bolts. The 3 axis adjustment system enables both vertical and horizontal alignment.



### Bluetooth® Control

Lantern can be programmed and controlled up to 50 meters distance with standard android and iOS mobile phones.

## Technical Specification LO 200



### Optical performance

#### Maximum fixed intensity

|                          |                  |                  |           |           |
|--------------------------|------------------|------------------|-----------|-----------|
| At full power<br>12/15 W | <b>20.000 cd</b> | <b>20.000 cd</b> | 25.000 cd | 20.000 cd |
|--------------------------|------------------|------------------|-----------|-----------|

### Main Technical Specification

|  |  |
|--|--|
| <b>Lens visual/Mechanical diameter</b>               | 203 mm (8")  |
| <b>Lens material</b>                                 | UV stabilized Polycarbonate  |
| <b>Light source</b>                                  | Light Emitting Diodes (LEDs)   |
| <b>Lens divergence<br/>(horizontal and vertical)</b> | 4° @ 50 % (± 1°) of peak intensity<br>8° @ 10 % (± 2°) of peak intensity |
| <b>Unit lifetime</b>                                 | Up to 10 years   |
| <b>Weight</b>  | 8 kg   |
| <b>Temperature range</b>                             | -40°...+60°C   |
| <b>Supply Voltage</b>                                | 9 – 32 VDC   |
| <b>Power consumption</b>                             | 15 watts red /yellow, 12 watts green/<br>white at full intensity         |
| <b>Degree of protection</b>                          | IP 66  |

## Order Overview LO 200

### Option matrix

|  |  |
|--|--|
| <b>OPT 4: GPS sync</b>                     | Integrated GPS sync excluding GPS antenna              |
| <b>OPT 7: External GPS</b>                 | External GPS antenna for OPT 4 and OPT 9               |
| <b>OPT 9: LightGuard GSM + GPS</b>         | Integrated GSM based monitoring including GSM antennas |
| <b>OPT 10: LightGuard GSM</b>              | Integrated GSM based monitoring including GSM antenna  |
| <b>OPT 11: Control card</b>                | Control card for secondary battery                     |
| <b>OPT 12: Aux card with I/O</b>           | Aux card including I/O ports                           |
| <b>OPT 13: Aux card with RS485 and I/O</b> | Aux card including RS 485 and I/O port                 |
| <b>Shock &amp; Tilt Sensor</b>             | Integrated 3-axis G sensor for tilt and shock sensing  |

### Product codes

| Product | Colour |
|---------|--------|
| LO 200W | white  |
| LO 200R | red    |
| LO 200G | green  |
| LO 200Y | yellow |

### Product code example: LO 200G.11

- **LO 200G** is Sabik code for LO 200 in green
- **11** is a selection of option 11 Control Card