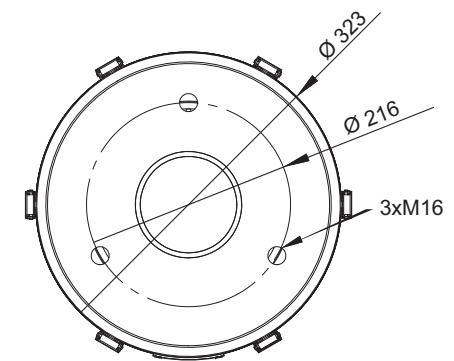
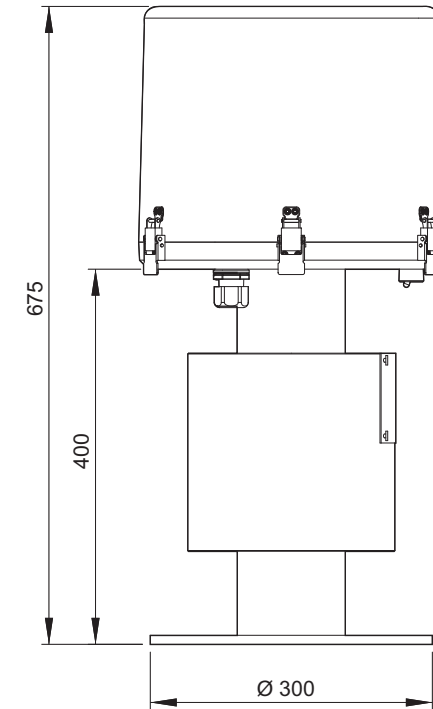


FOGHORN



SPECIFICATIONS	SFS 1	SFS 6
Nominal range (NM)	0,5	2
Supply voltage	11-15 VDC	11-15 VDC
Input power (W)	12	100
Signal output (db)	120,5	133,2
Output frequency (Hz)	653	664
Body material	Corrosion resistant Aluminium	Corrosion resistant Aluminium
Weight (kg)	33	67
Tightness level	IP 66	IP 66
Temperature range	-40°...+65°C	-40°...+65°C
Certification	USCG Title 33 Code of Federal Regulations Part 67	USCG Title 33 Code of Federal Regulations Part 67
Classification	Factory Mutual (FM) Class I, Division II, Groups C&D (Hazardous Area)	Factory Mutual (FM) Class I, Division II, Groups C&D (Hazardous Area)
Certificates	ATEX (pending)	ATEX (pending)



SFS 1