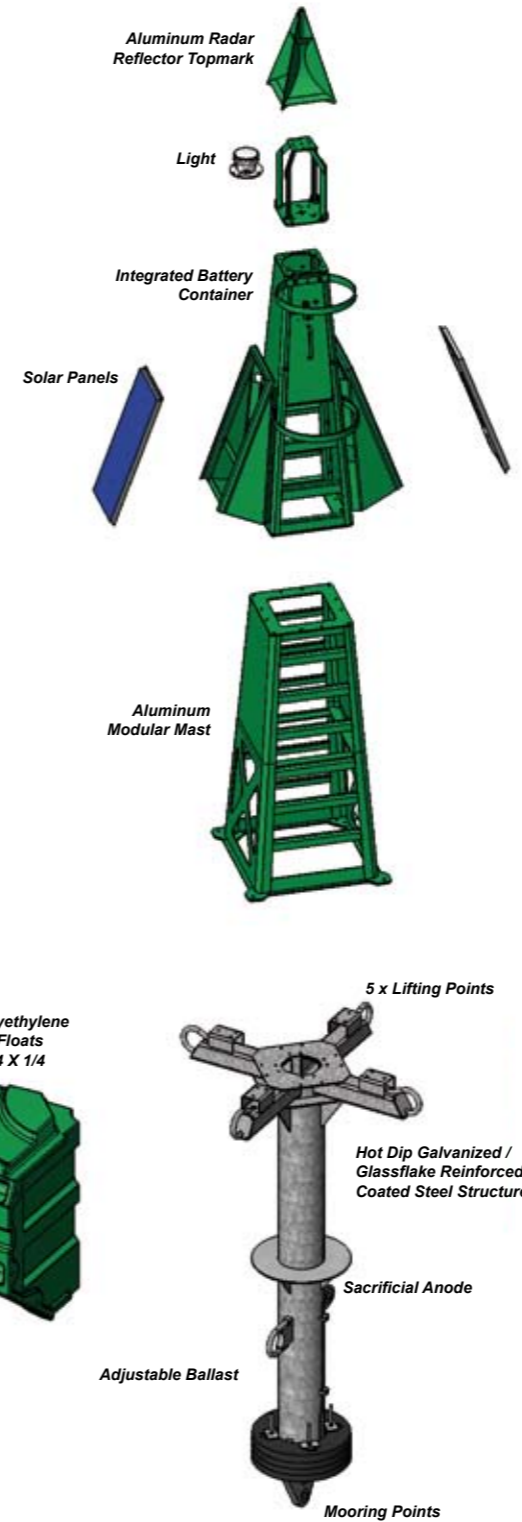
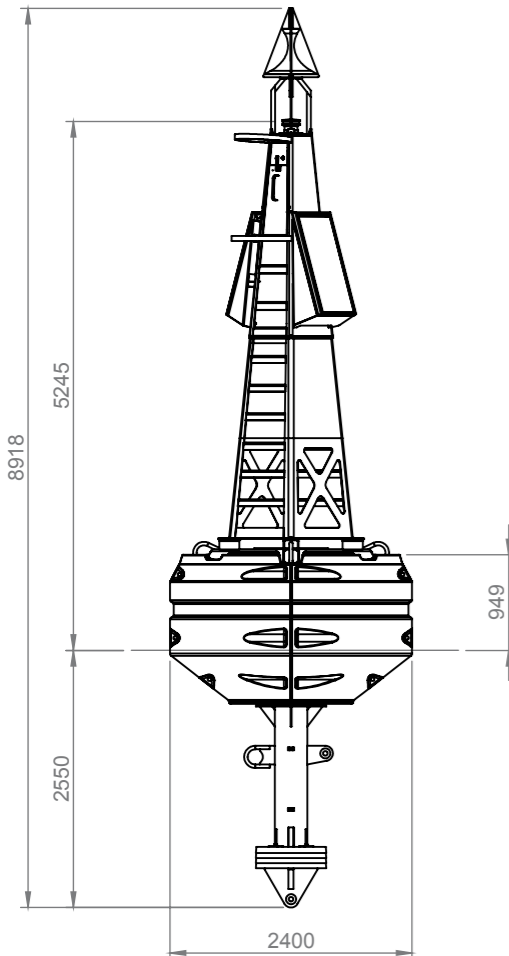


JET-5000-QI-RANGE SPECIFICATIONS

MOBILIS

FOCAL PLANE (M)	3	4	5
OVERALL HEIGHT (M)	6.9	7.9	8.9
WEIGHT WITHOUT BALLAST (KG)	1320	1340	1370
VISIBLE SURFACE (M <sup>2</sup> )	4	5	6
BUOYANCY (KG/CM)	44	44	44



Exploded view of a JET 5000 QI PF5

Anchoring elements (shackles, chains, swivels, sinkers) are available in mooring device section in catalogue



EQUIPMENTS

MAST	Coated Aluminium marine grade
STRUCTURE	Hot Dip Galvanized or Coated Steel
FLOATS	Medium density polyethylene 15 Years UV protected (PEMD UV-15)

SPECIFICATIONS

APPLICATIONS	Offshore, Coastal
DIAMETER	2.4 m
OVERALL HEIGHT	8.9 m
BUOY WEIGHT	1500 kg without ballast
BALLAST WEIGHT-ADJUSTABLE	4x100 kg
FOCAL PLANE	up to 5 m
DRAUGHT	2.7 m
MAXIMUM CURRENT*	10 knots
VISIBLE SURFACE	Up to 6 m <sup>2</sup>
BUOYANCY (KG/CM)	44 Kg

\*According to mooring line designed for site conditions